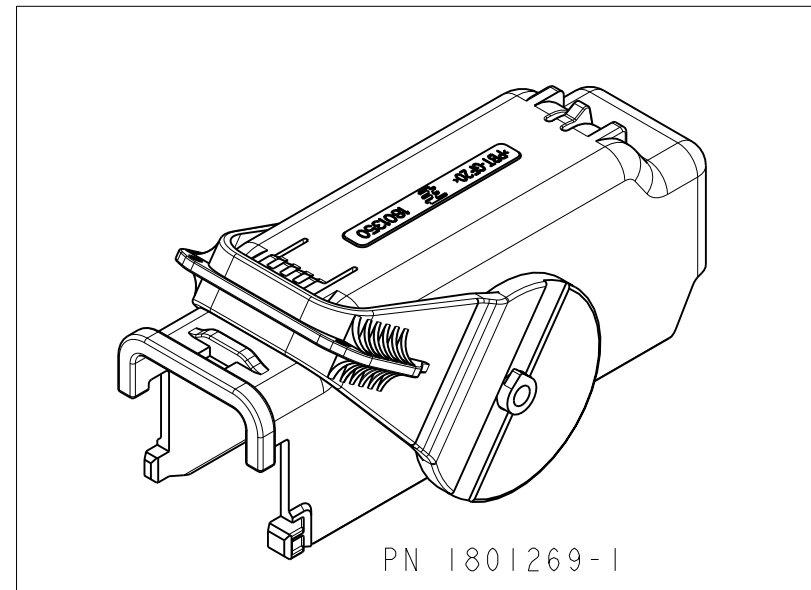
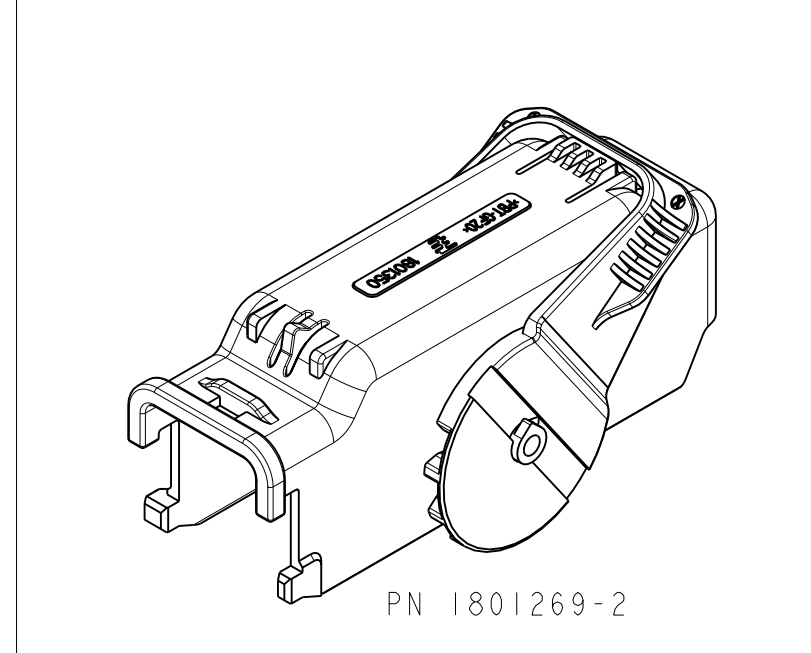


THIS DRAWING IS UNPUBLISHED. RELEASED FOR PUBLICATION 20  
 © COPYRIGHT 20 BY TYCO ELECTRONICS CORPORATION. ALL RIGHTS RESERVED.

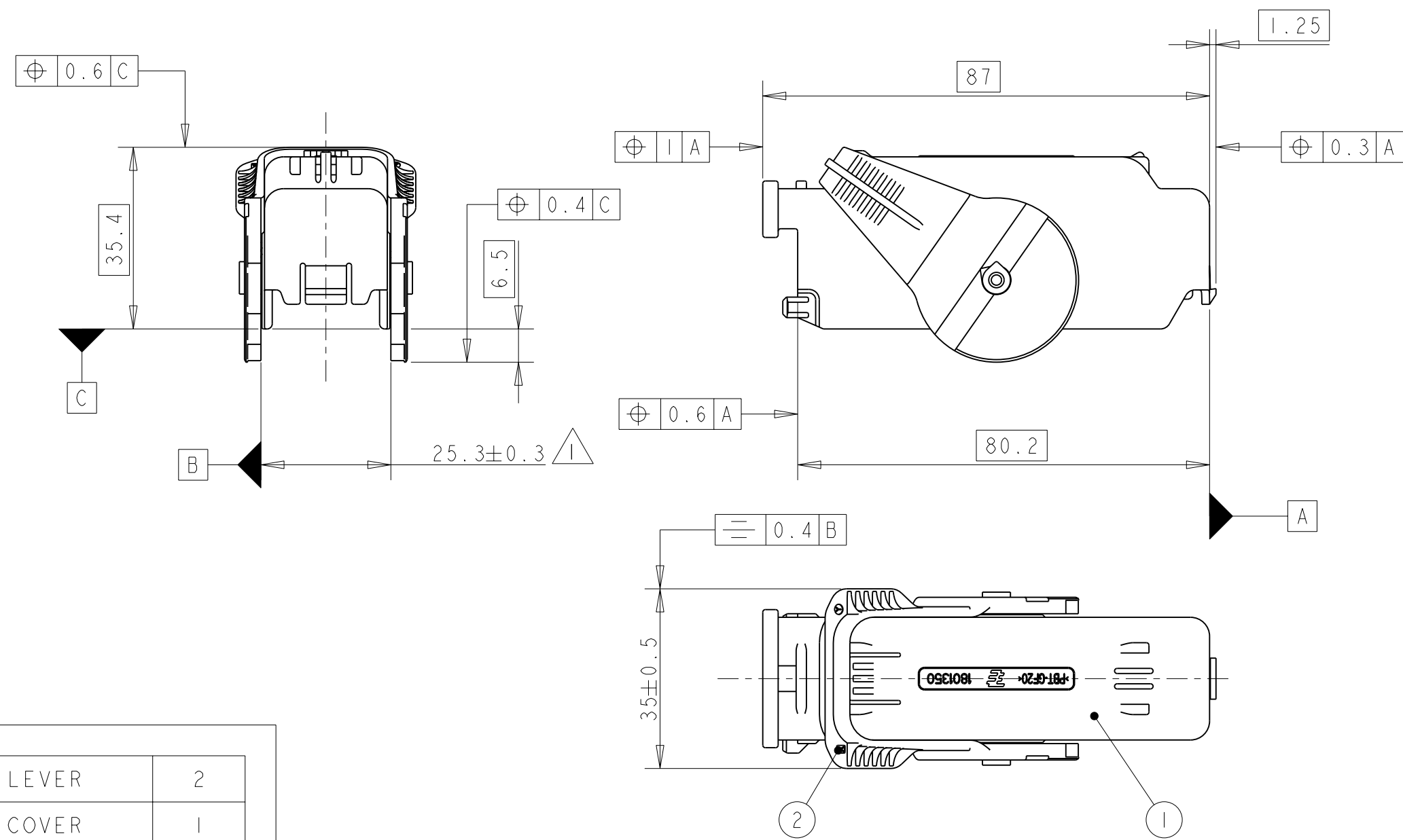
LOC	DIST	REVISIONS				
P	LTR	DESCRIPTION	DATE	DWN	APVD	
F	00	B	CHANGE COLOR OF COVER FOR PN 1801269-1	03JUL2008	PB	JPP
		C	DESIGN CHANGE TO IMPROVE THE CODING	17OCT2008	DB	JJR



PN 1801269-1



PN 1801269-2



△ WARPAGE ACCEPTED : -0.3mm  
 (25.3 <sup>+0.3</sup> / <sub>-0.6</sub>)

QTY	QTY	COLOR	MATERIAL	DESIGNATION	ITEM
1	1	BROWN	PBT GF 20%	LEVER	2
1		BLACK	PBT GF 20%	COVER	1
	1	GREY	PBT GF 20%	COVER	1

1801269-X					
-2	-1				
C	C	PART REVISION CODE			

THIS DRAWING IS A CONTROLLED DOCUMENT FOR TYCO ELECTRONICS CORPORATION. IT IS SUBJECT TO CHANGE AND THE CONTROLLING ENGINEERING ORGANIZATION SHOULD BE CONTACTED FOR THE LATEST REVISION.		DWN	15JAN2007			TYCO ELECTRONICS FRANCE SAS		
DIMENSIONS: mm		CHK	15JAN2007			BP 30039, CERGY-PONTOISE CEDEX		
TOLERANCES UNLESS OTHERWISE SPECIFIED:		APVD	15JAN2007			NAME		
0 PLC ±0.2 1 PLC ±0.2 2 PLC ±0.2 3 PLC ±0.2 4 PLC ±0.2 ANGLES ±5°		PRODUCT SPEC	-			CAPOT 30 VOIES		
MATERIAL SEE TABLE		FINISH	-		APPLICATION SPEC		-	
		WEIGHT	25grs		SIZE	CAGE CODE	DRAWING NO	RESTRICTED TO
		CUSTOMER DRAWING		SCALE	A3	00779	©=1801269	-
				SHEET	1	OF	1	REV C